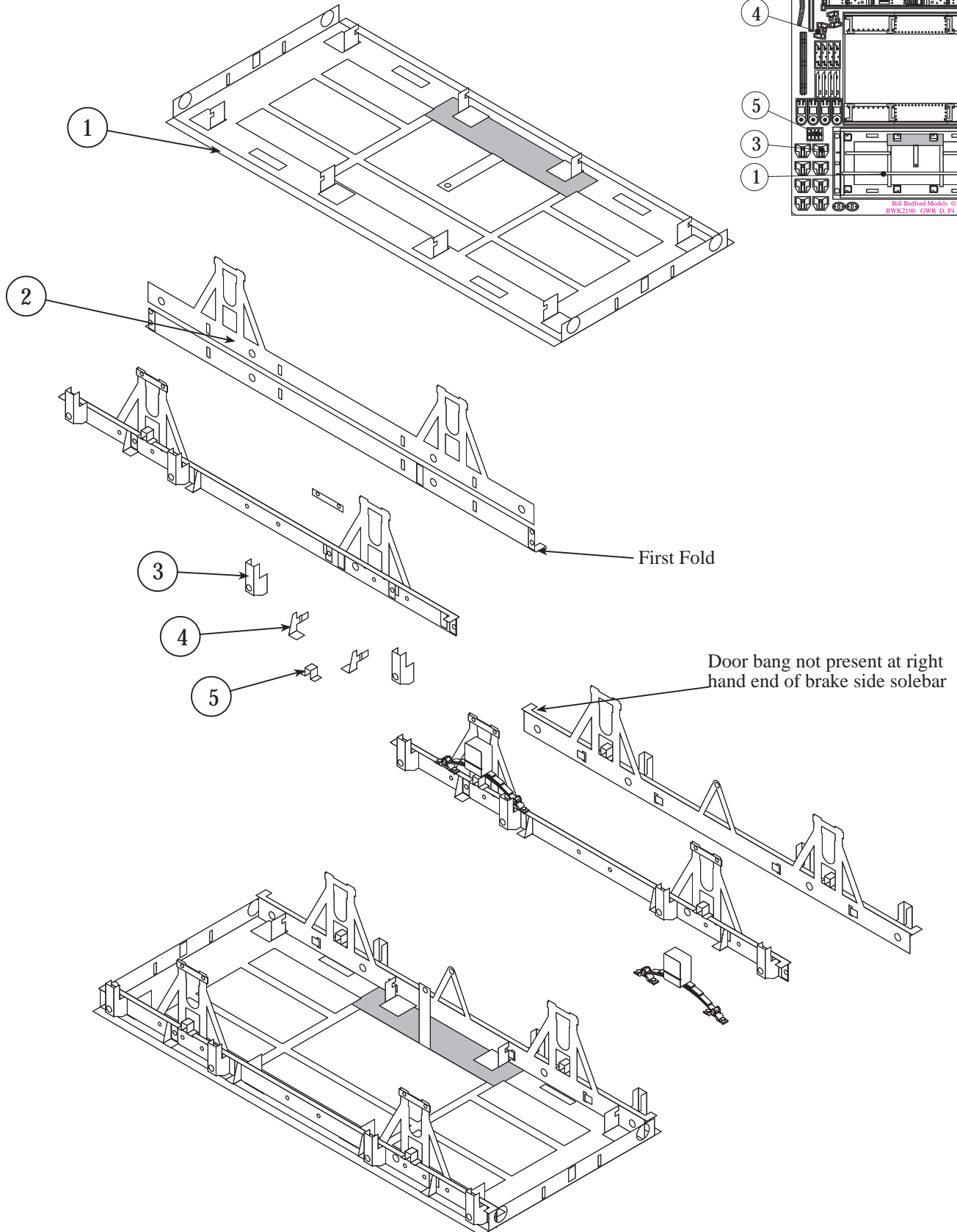


Bill Bedford Models

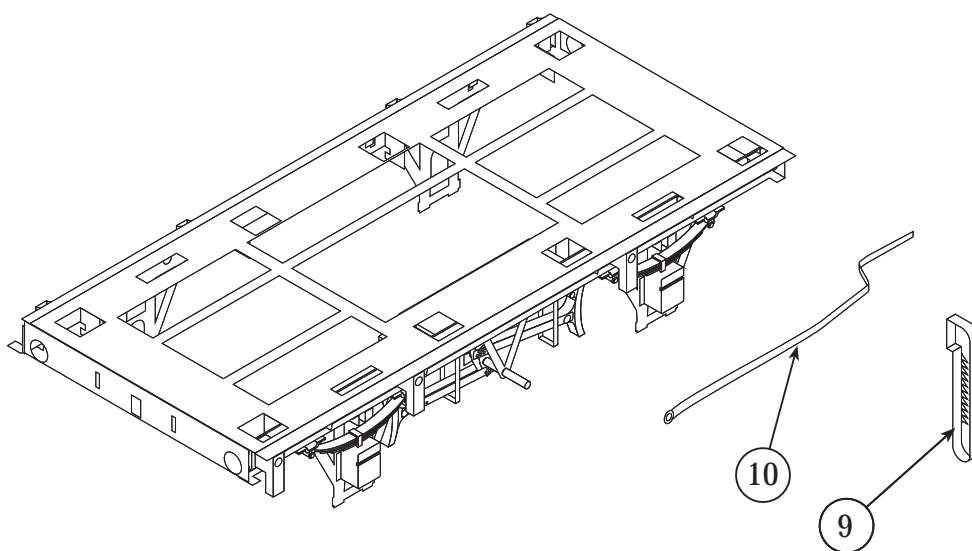
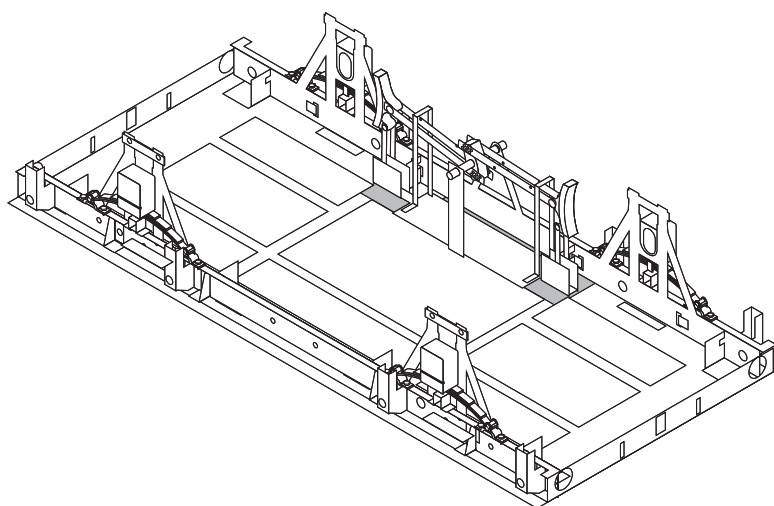
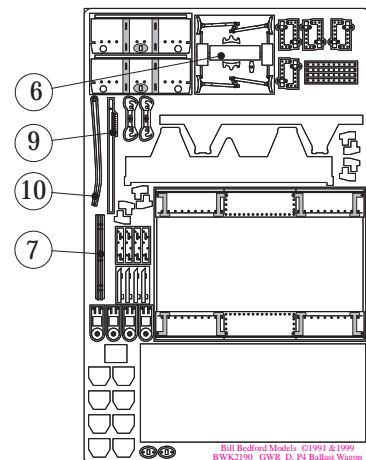
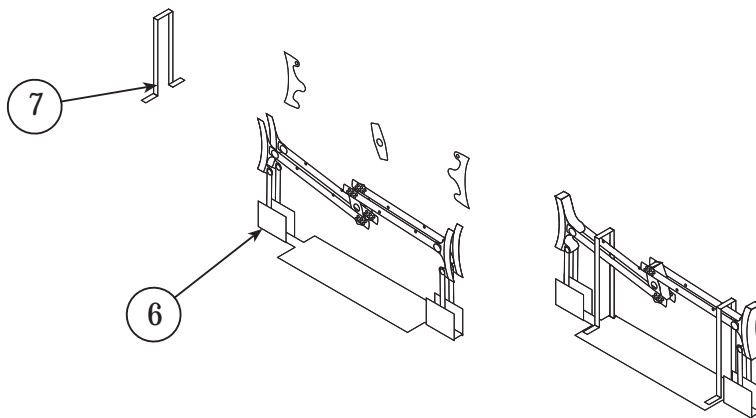
BWK2190 GWR P4 Ballast Wagon

Assembly suggestions

Underframe

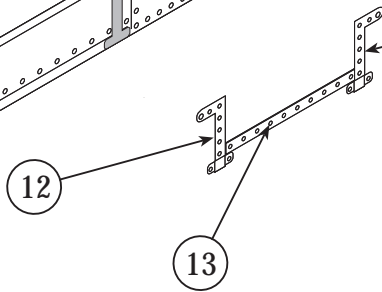
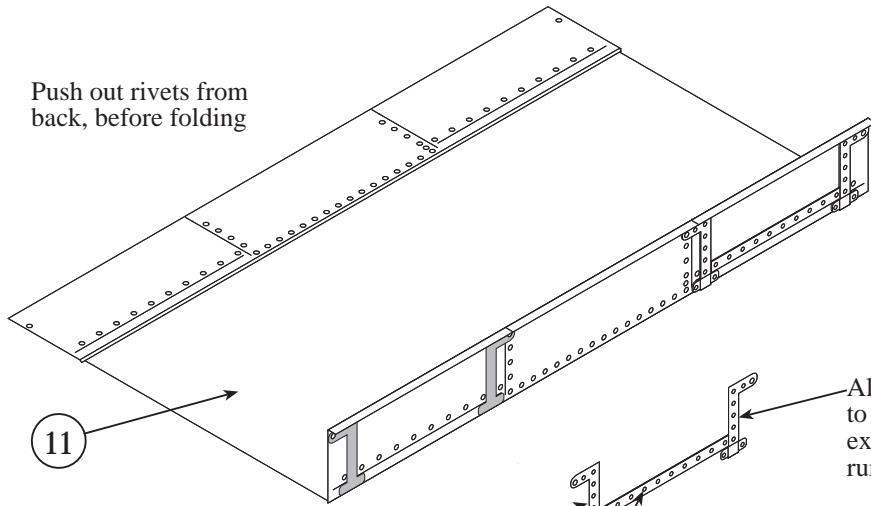


Brakes

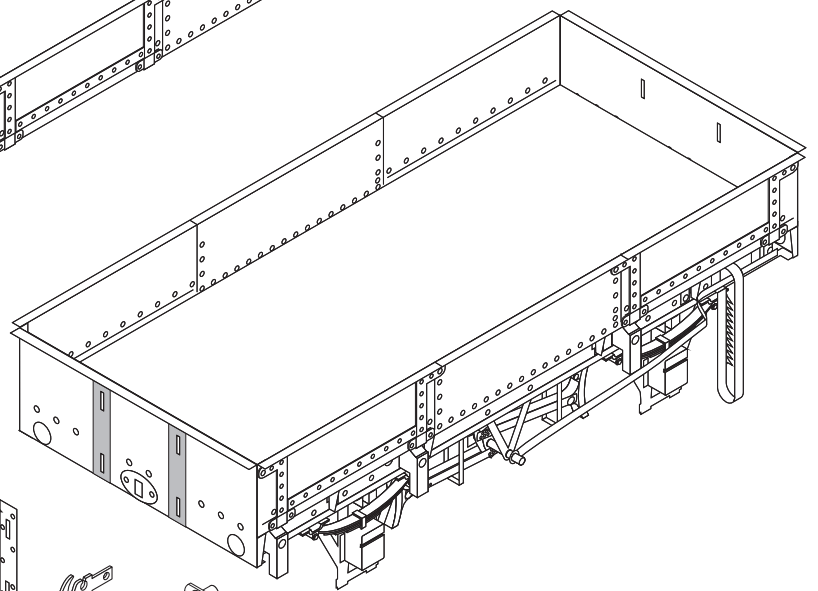
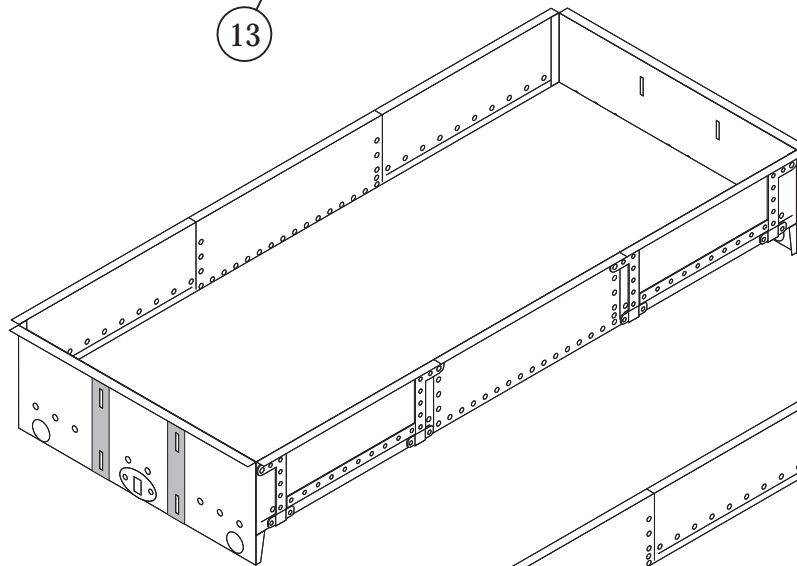
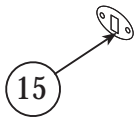
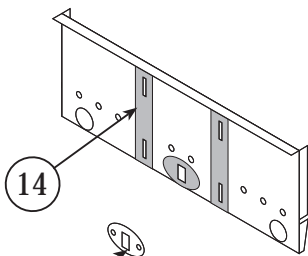


Body

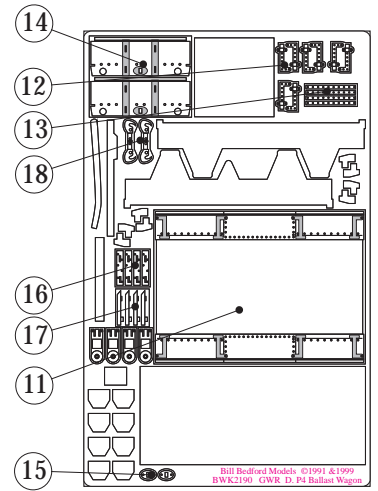
Push out rivets from back, before folding



Alternative door straps. These wagons seemed to have been built with only internal door straps, external strap being added later. Some wagons run with straps on some doors but not others.



Fold coupling in half.



Wheels and Suspension

