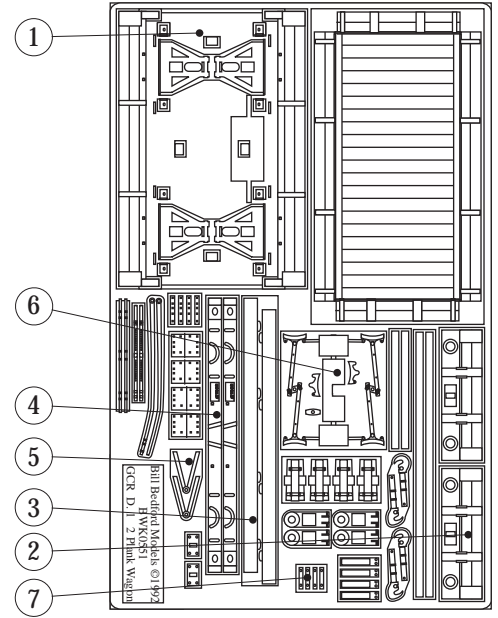
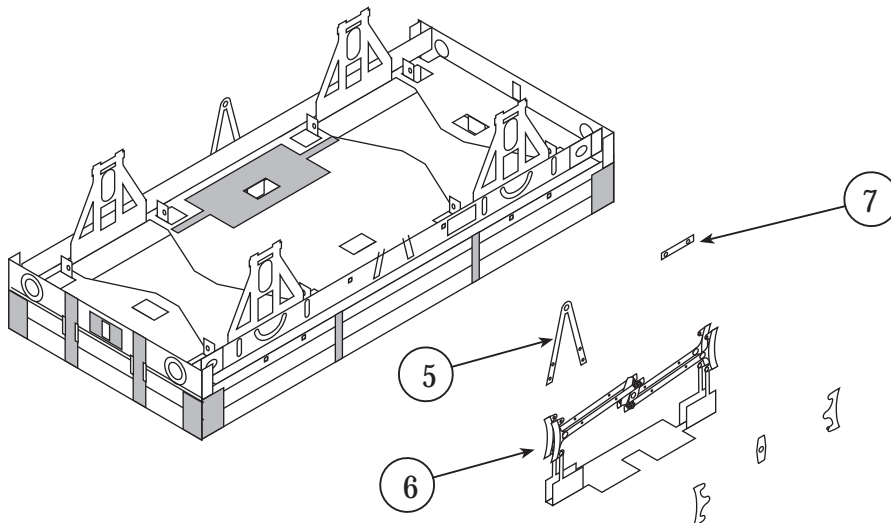
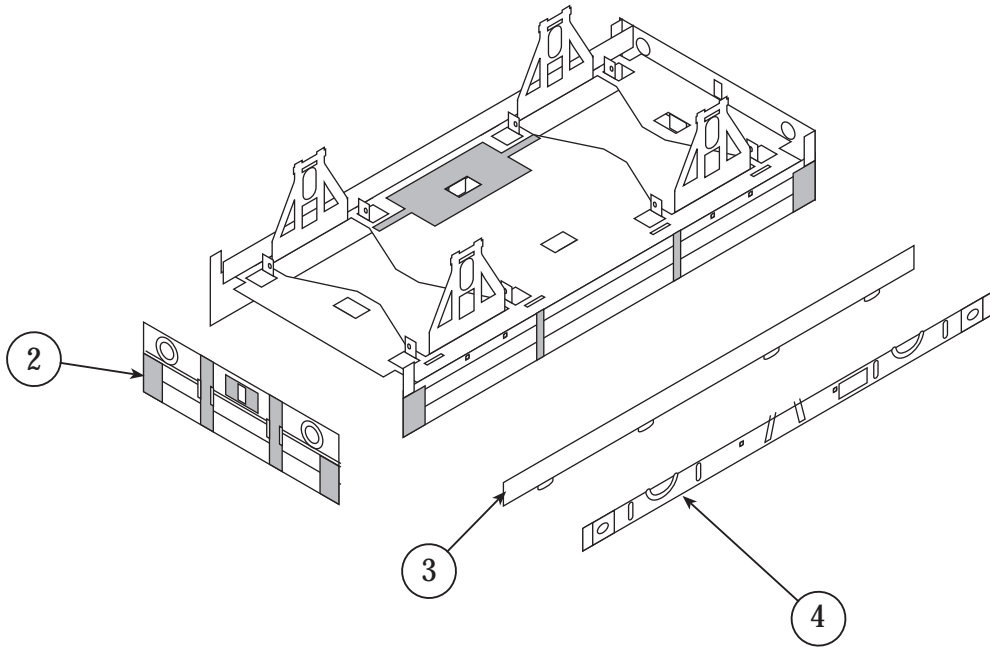
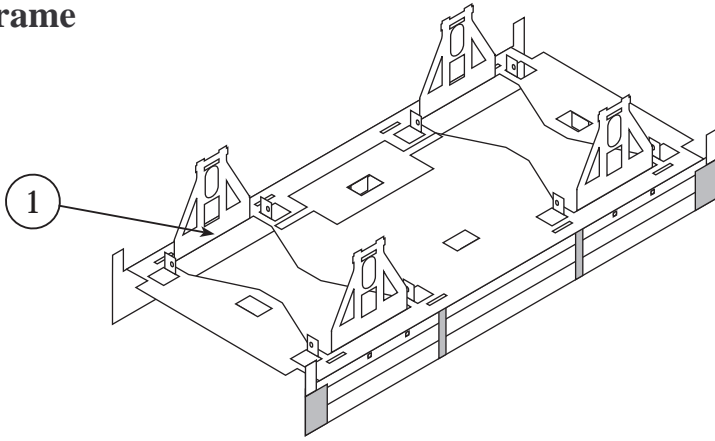


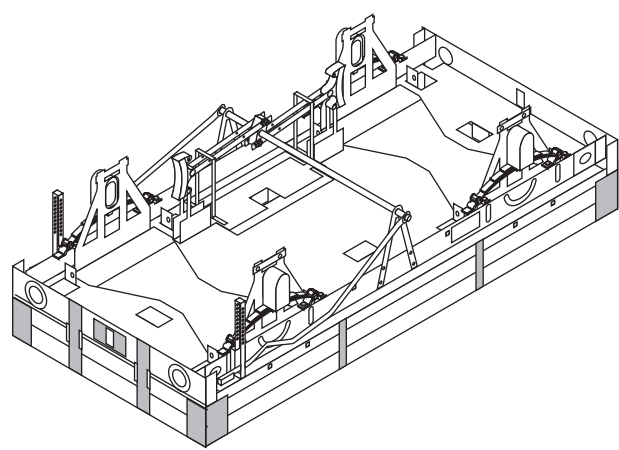
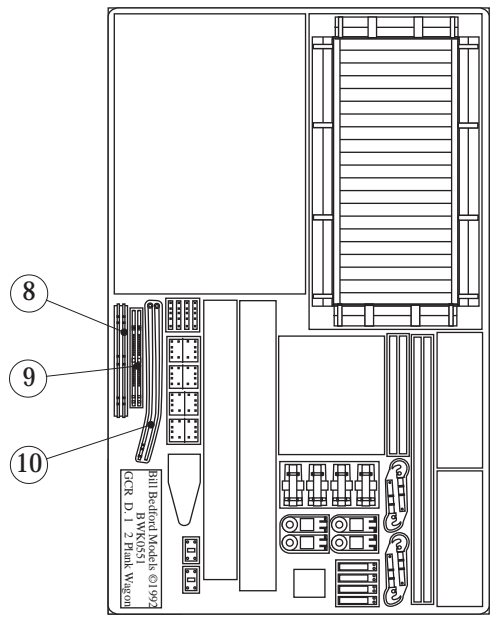
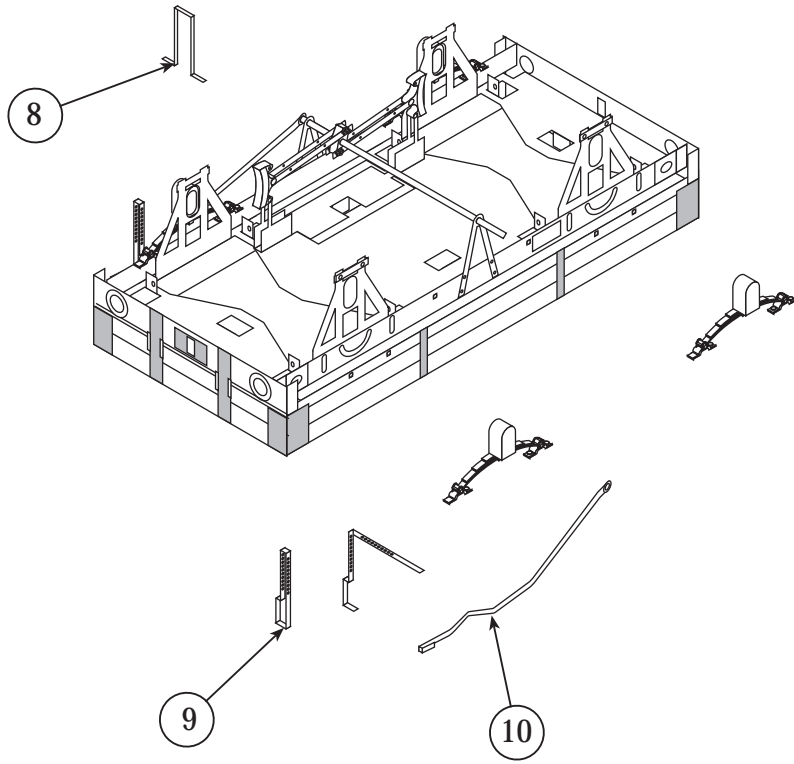
Bill Bedford Models

BWK0551 GCR D.2 Two Plank Wagon

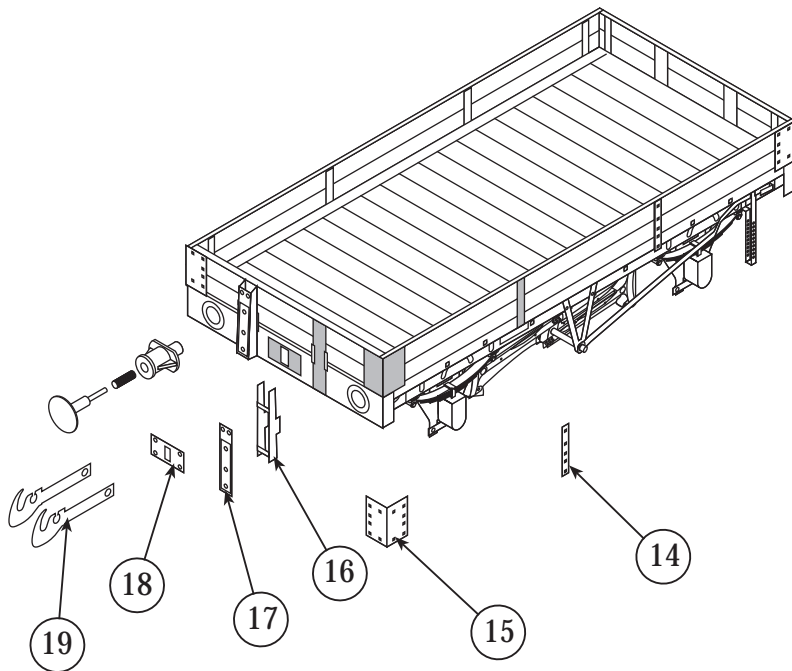
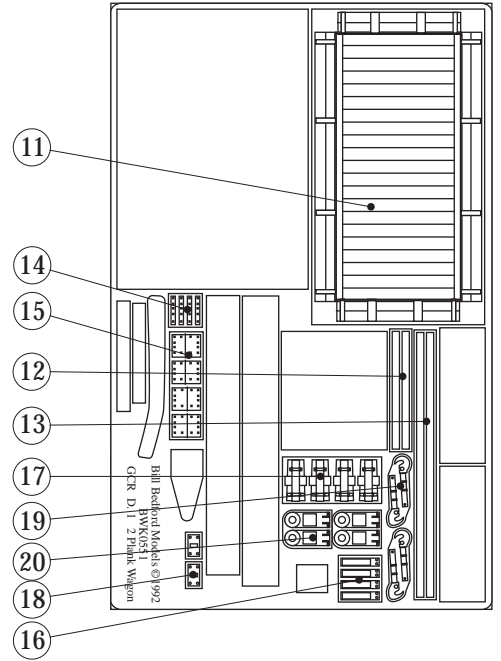
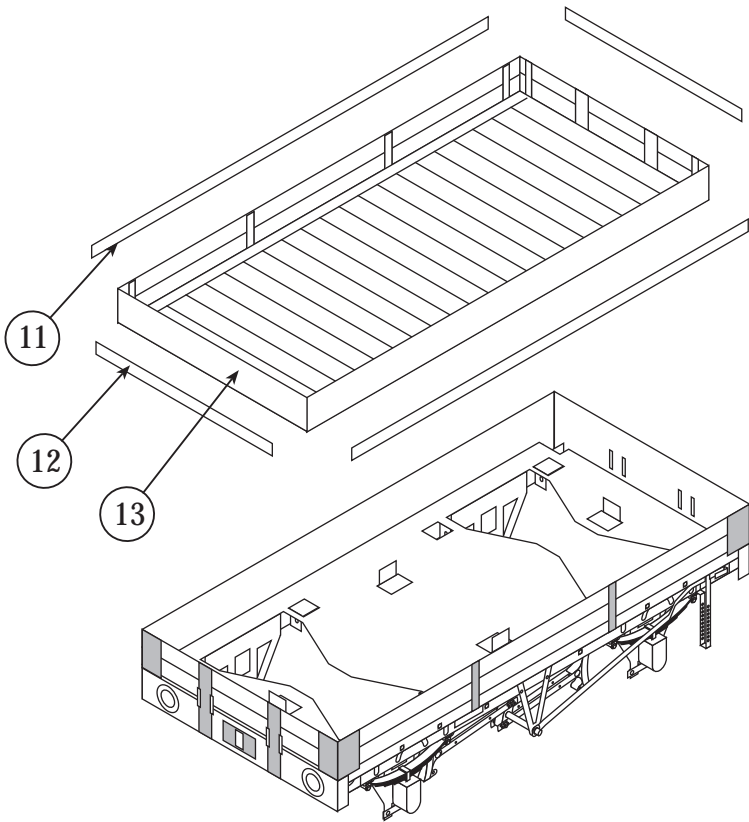
Assembly suggestions

Underframe





Body



Solder two coupling hooks together

Suspension

