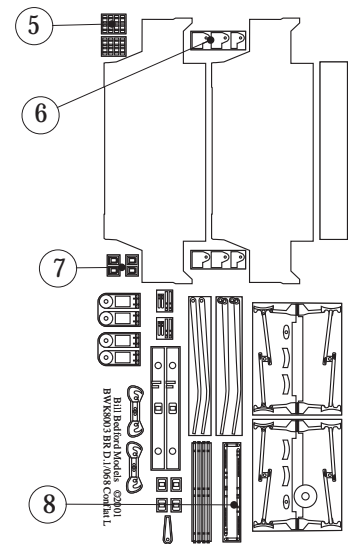
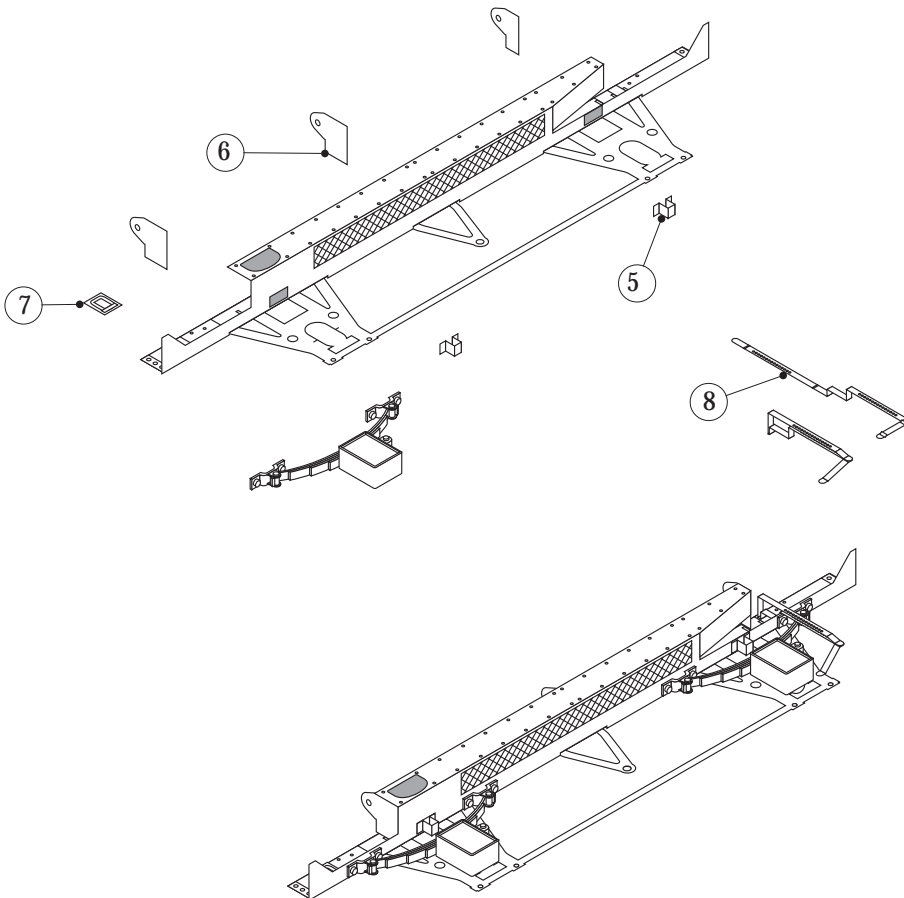
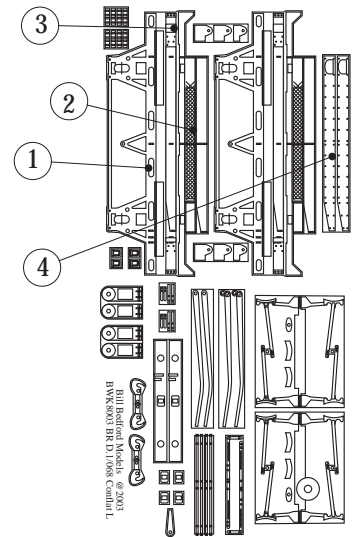
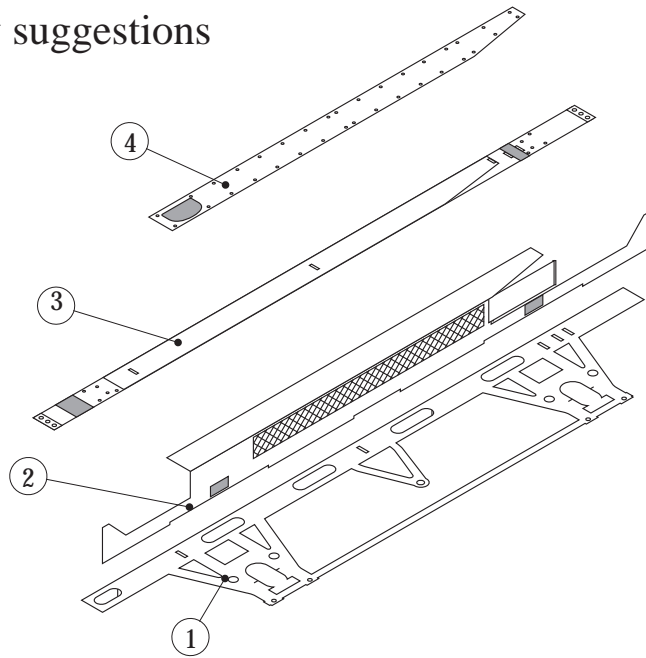


Bill Bedford Models

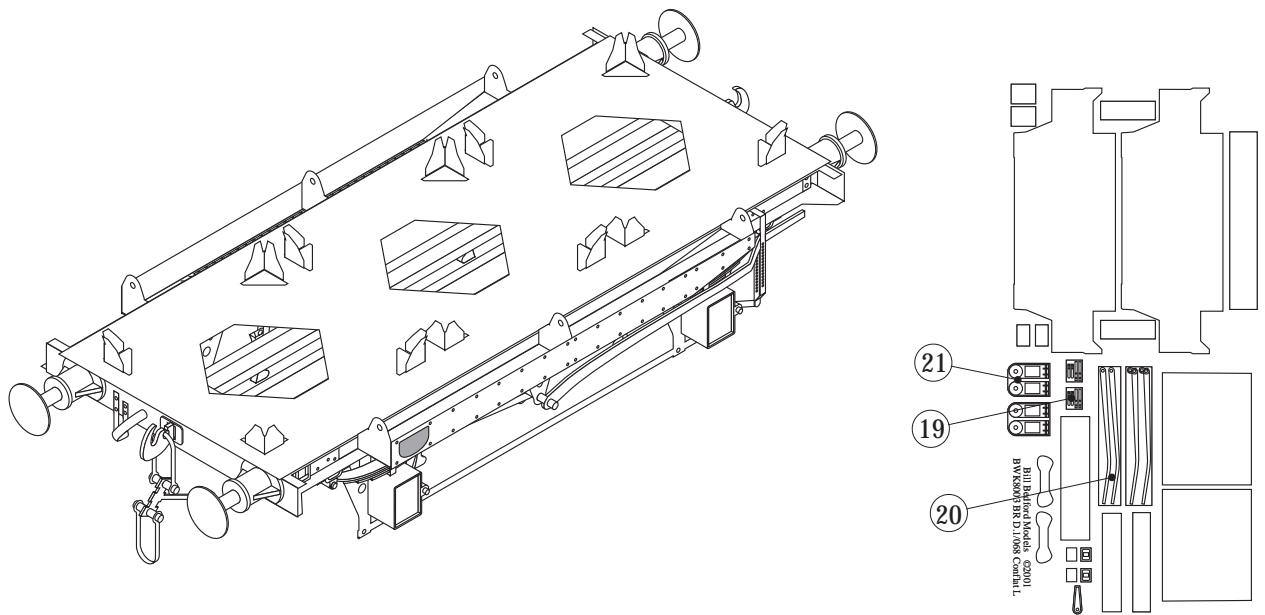
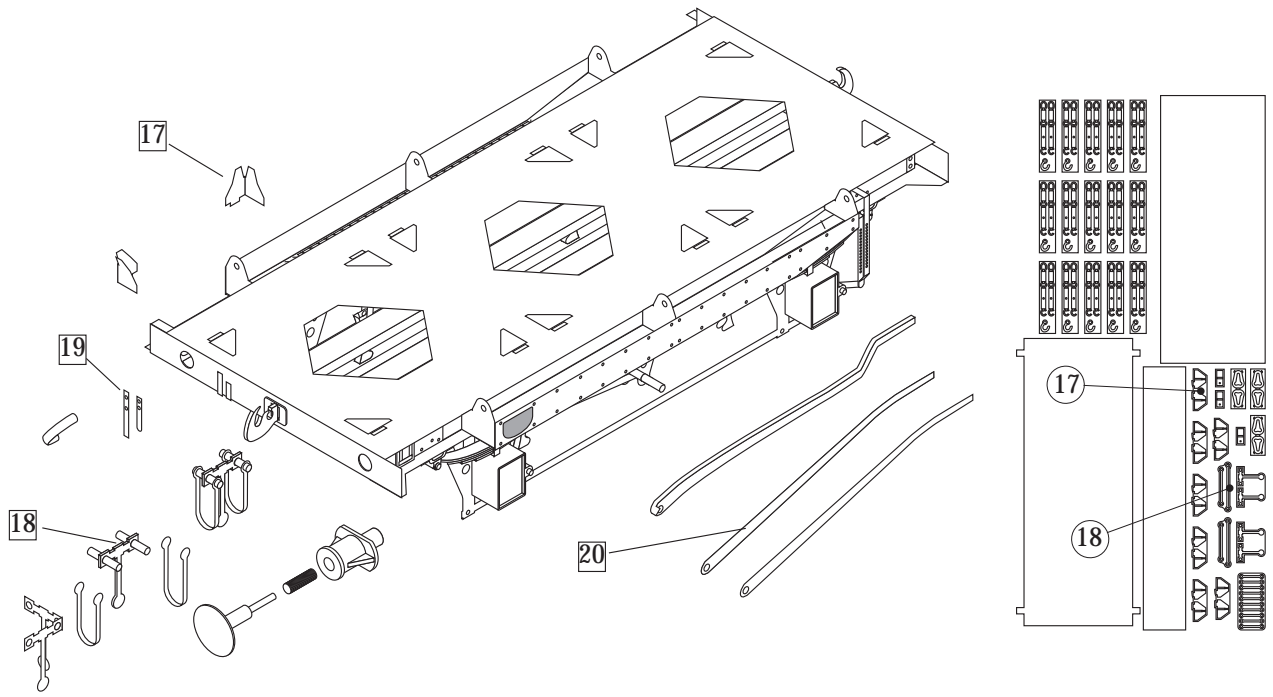
BCK8003 BR D.1/068 Conflat L

Assembly suggestions

Solebars



Finishing off



Fitting the wheels

