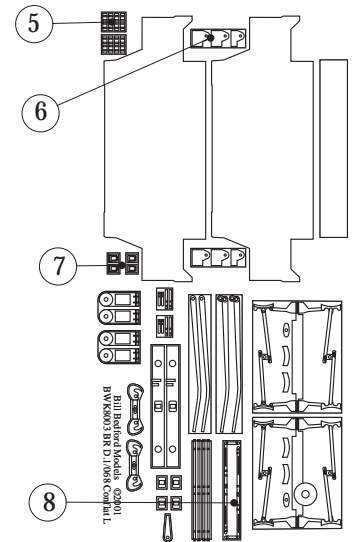
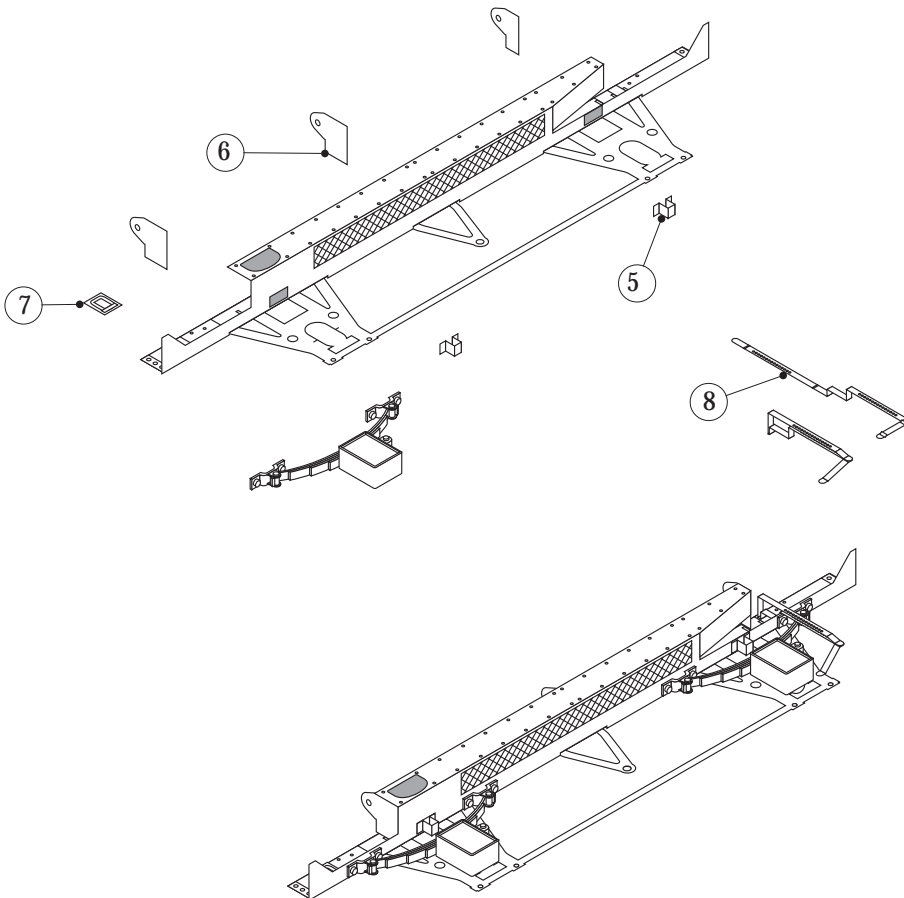
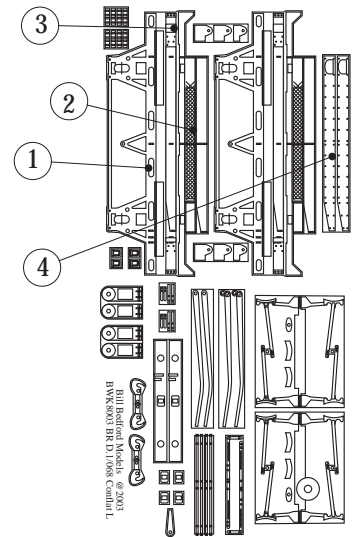
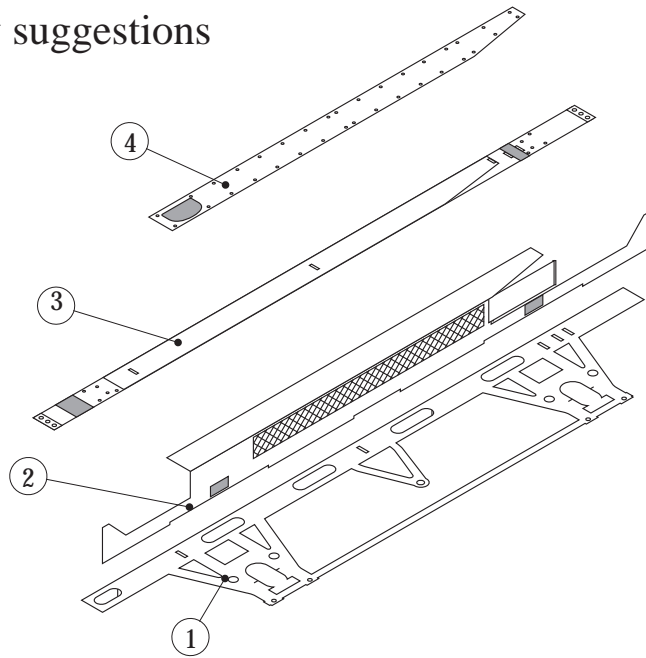


Bill Bedford Models

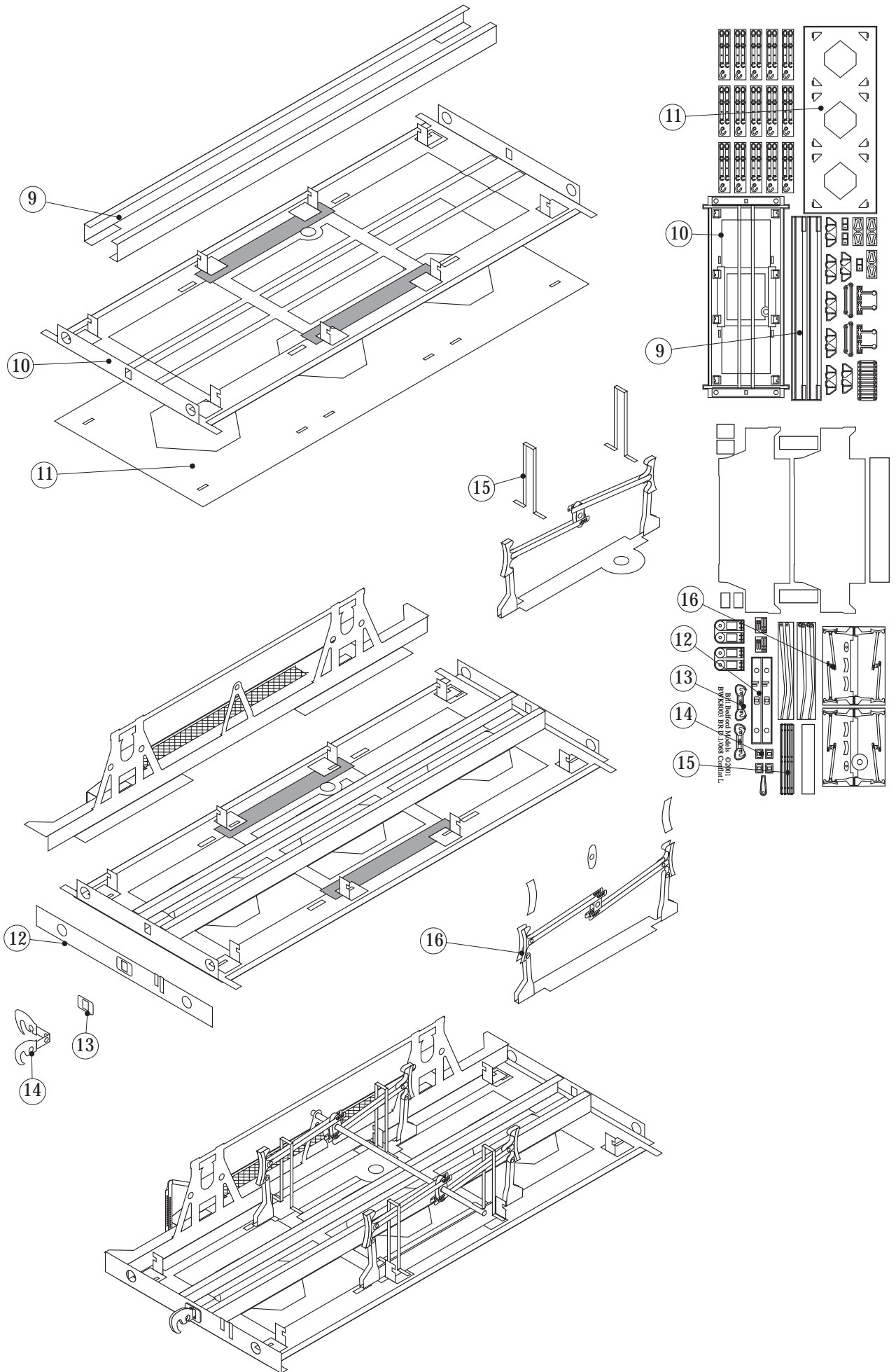
BCK8003 BR D.1/068 Conflat L

Assembly suggestions

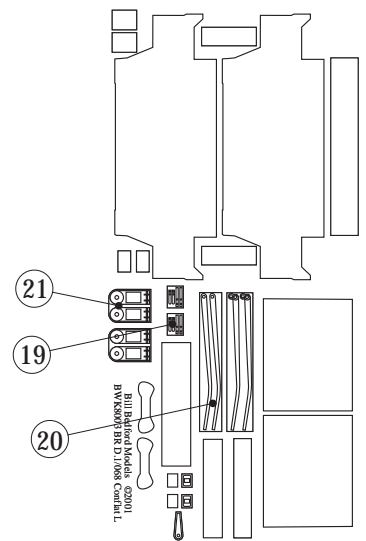
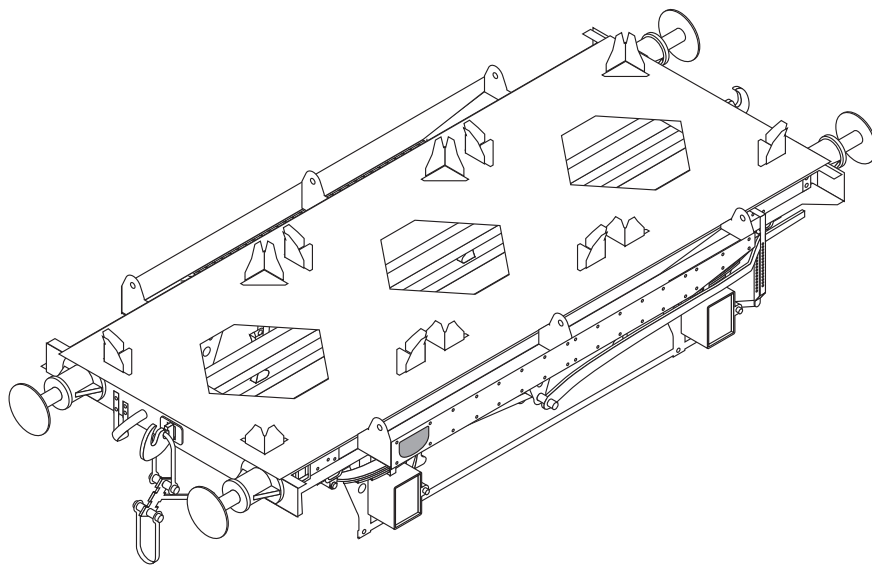
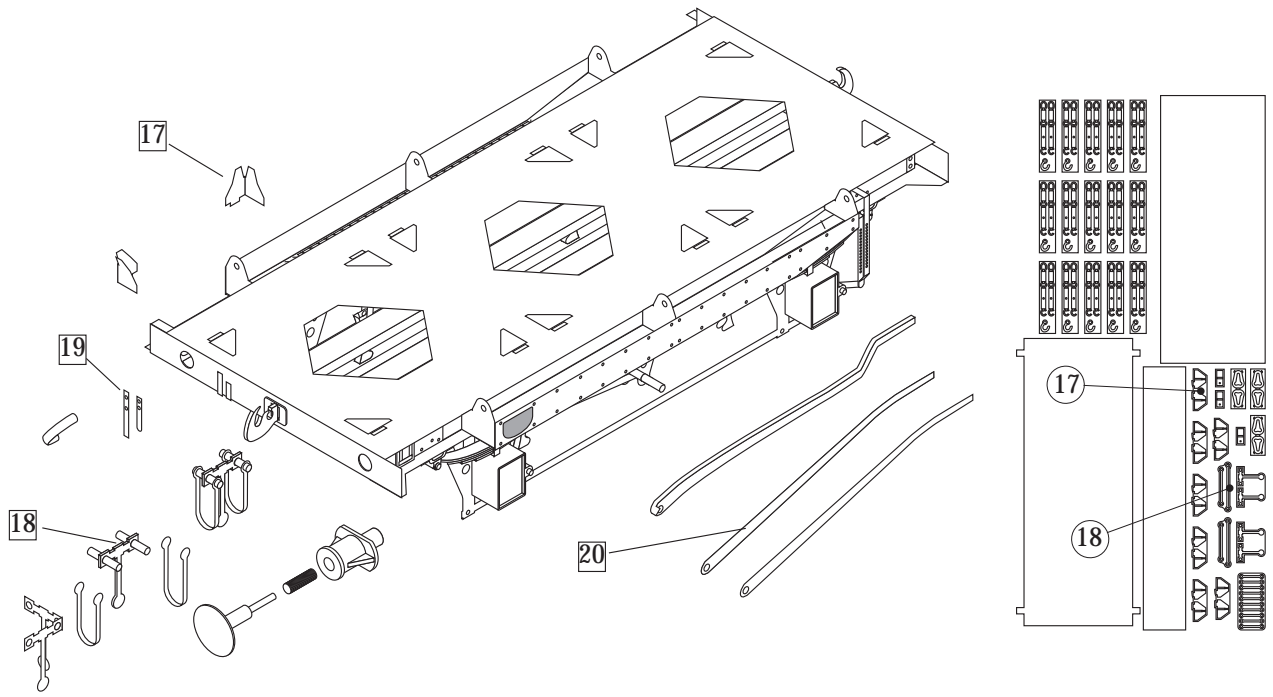
Solebars



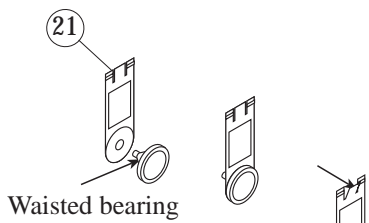
Underframe



Finishing off



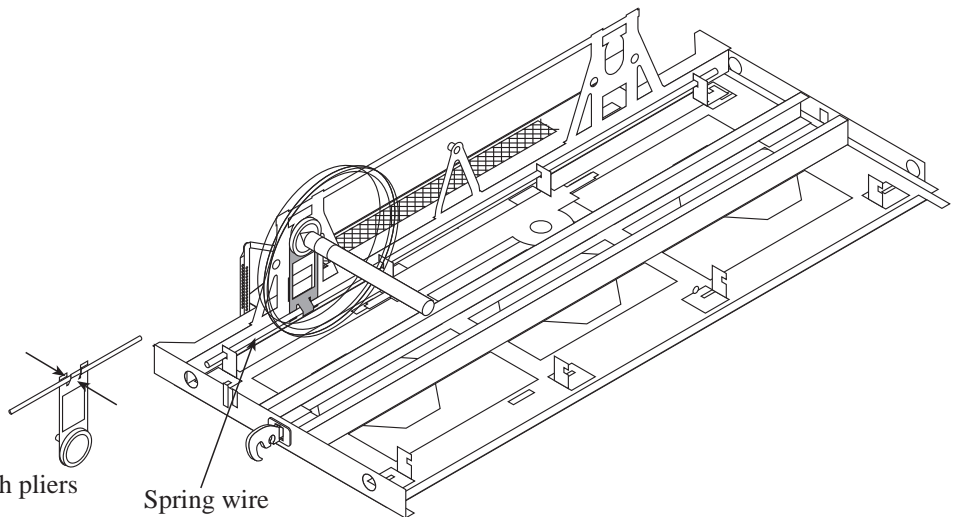
Fitting the wheels



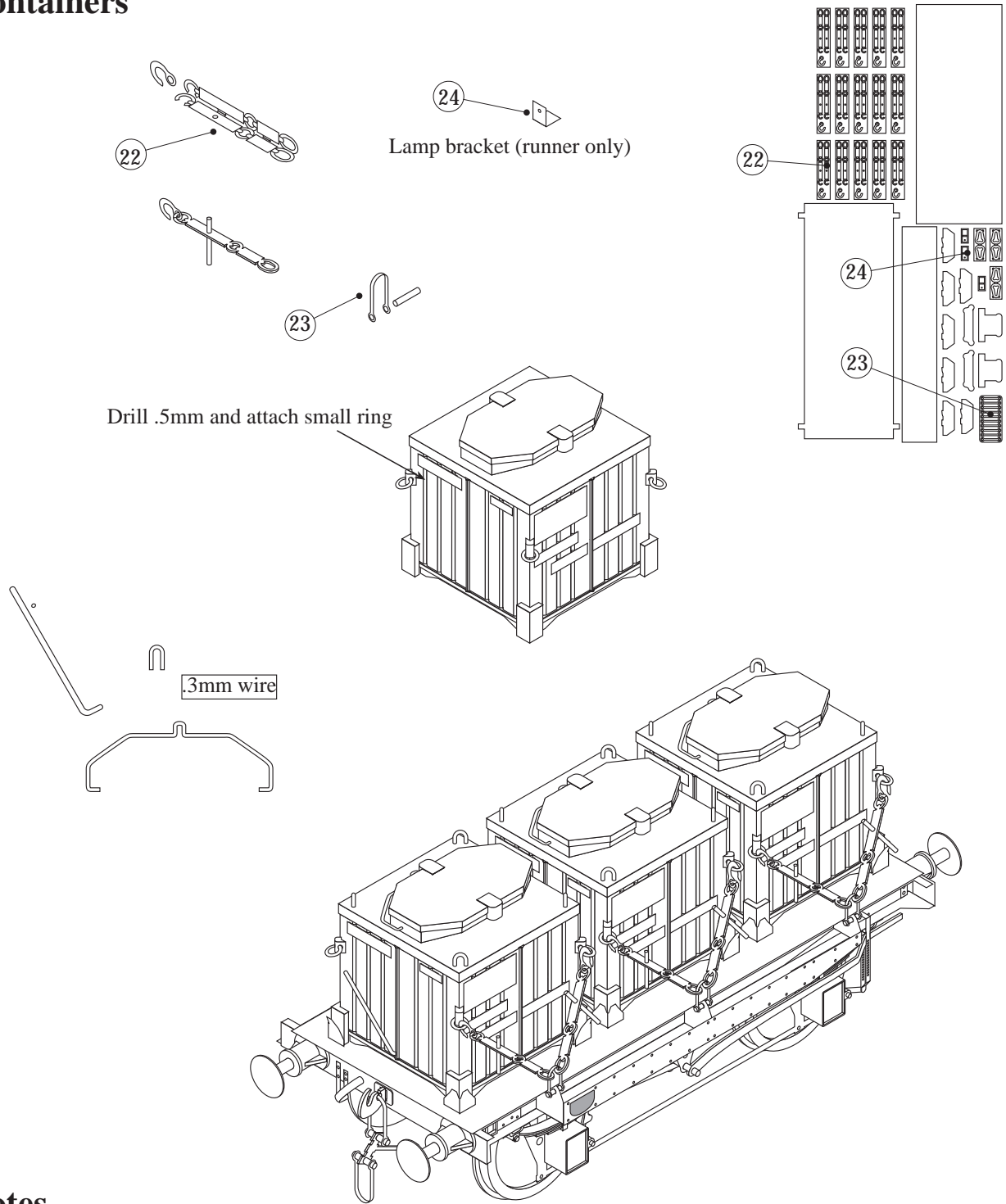
Gently push forward middle 'finger' Bend the finger no more than is necessary to fit the wire.

Gently squeeze with pliers

Spring wire



Containers



Notes

The original wagons had wooded packing between the brake lever guards and the solebar webs. These pieces have been inadvertently missed off the fret. A small piece of scrap can easily be substituted.

There were 2 versions of the containers. The later one had the holding down lugs about 3" higher than the earlier version, which has been modelled. Confusion over this point in the later stages of development has meant that the chain etches may be too long for the container molding and may need shortening

Technical advisor: John Brighton

Thanks for information, photographs etc. to: Trevor Mann, John Isherwood, David Nobbs.